



MARTEN

COLTRANE
series

COLTRANE 2



MADE IN SWEDEN

COLTRANE 2

COLTRANE
series

Remarkable resolution and transparency, coupled with amazing power.

Its newly developed carbon fibre laminate cabinet reduces resonances to close to zero. As versatile as the original Coltrane despite being 40% larger, the Coltrane 2 is extremely powerful, while delivering even better resolution and transparency.

Along with the cabinet, the individual components of the Coltrane 2 have also been specifically designed.

The Coltrane 2 employs two newly developed 11" ceramic sandwich woofers, a ceramic midrange driver and a diamond tweeter, all created in partnership with Accuton. With the new 11" bass drivers the Coltrane 2 delivers extreme dynamics and a big, relaxed sound.

With three level bass adjustment, the Coltrane 2 is easily integrated to the listening room. It is very powerful – yet has a very easy load for amplifiers, never below 4.1 Ohms impedance.



Technical specifications

Frequency range / 20-60000 Hz +-2dB

Power rating / 300 W

Sensitivity / 89 dB / 1 m / 2.83V

Impedance / 8 ohm (4.1 Ohm min)

Type / 3-way bass reflex

Drive units / 2x11" ceramic sandwich , 1x7" ceramic, 1x1" diamond

Crossover frequency / 2:nd order: 250 & 2800 Hz

Terminals / WBT Nextgen, bi-wiring

Internal wiring / Jorma Design

Cabinet / 25 mm:s carbon fibre laminate cabinet, 60 mm laminated wood front

Stands / Brushed stainless steel with Black Diamond Racing pucks and cones

Dimensions (WxHxD) / 39.5 cm x121 cm x 63 cm (15.5" x 47.7" x 24.8")

Net weight / 60 Kg (132 lbs)

Finishes

All models have high-gloss carbon fibre sides with fronts available in:



Matt Oak



Matt Maple



Matt Cherry

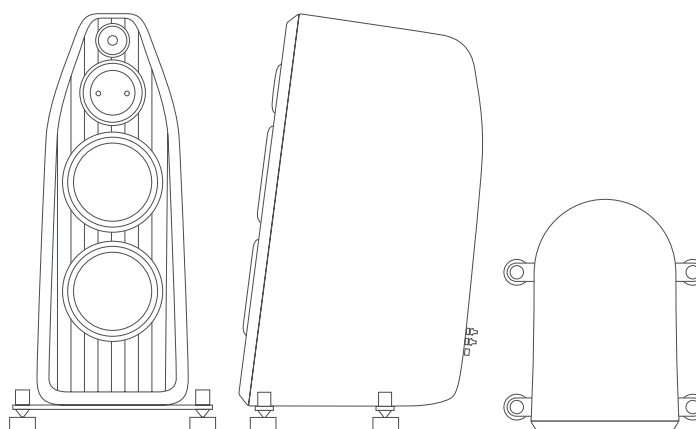


Matt Walnut



Piano Black

Please note Colours may not be a true representation of actual finish.



T +46 31 20 72 00

F +46 31 20 72 70

MARTEN
CHALMERSGATAN 24
SE-411 35 GOTHENBURG
SWEDEN

INFO@MARTEN.SE

WWW.MARTEN.SE